

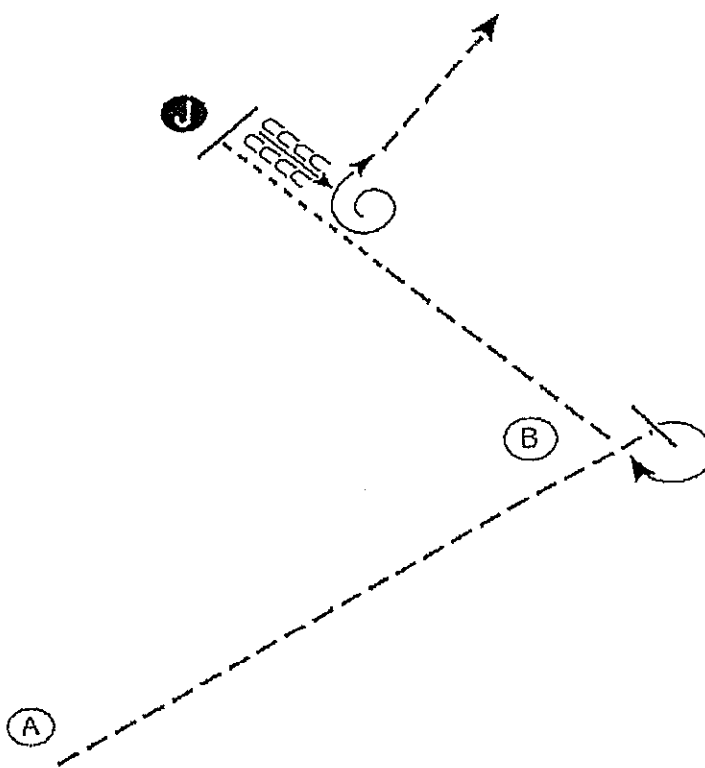


SUSSEX COUNTY HORSE SHOW
Local Day Western, English & 4H
AUGUST 9, 2021

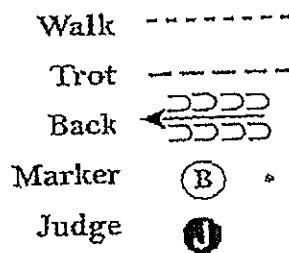
Pattern Book



SUSSEX COUNTY HORSE SHOW
 Local Day Western, English & 4H
 AUGUST 9, 2021
 Adult/Youth Showmanship
 Classes 4 and 5

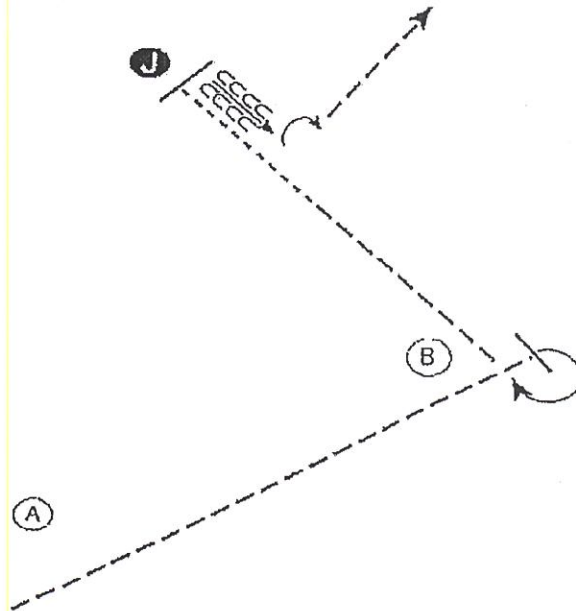


1. Begin at A. Trot past B and stop
2. Perform a 270 degree turn
3. Trot halfway to the Judge
4. Break to the walk and walk to the Judge
5. Stop and set up for inspection
6. When dismissed back one horse length
7. Perform a 450 degree turn and trot to the line-up





SUSSEX COUNTY HORSE SHOW
 Local Day Western, English & 4H
 AUGUST 9, 2021
 Junior/Senior, Novice and Leadline Showmanship
 Classes 2, 3, 6 and 16

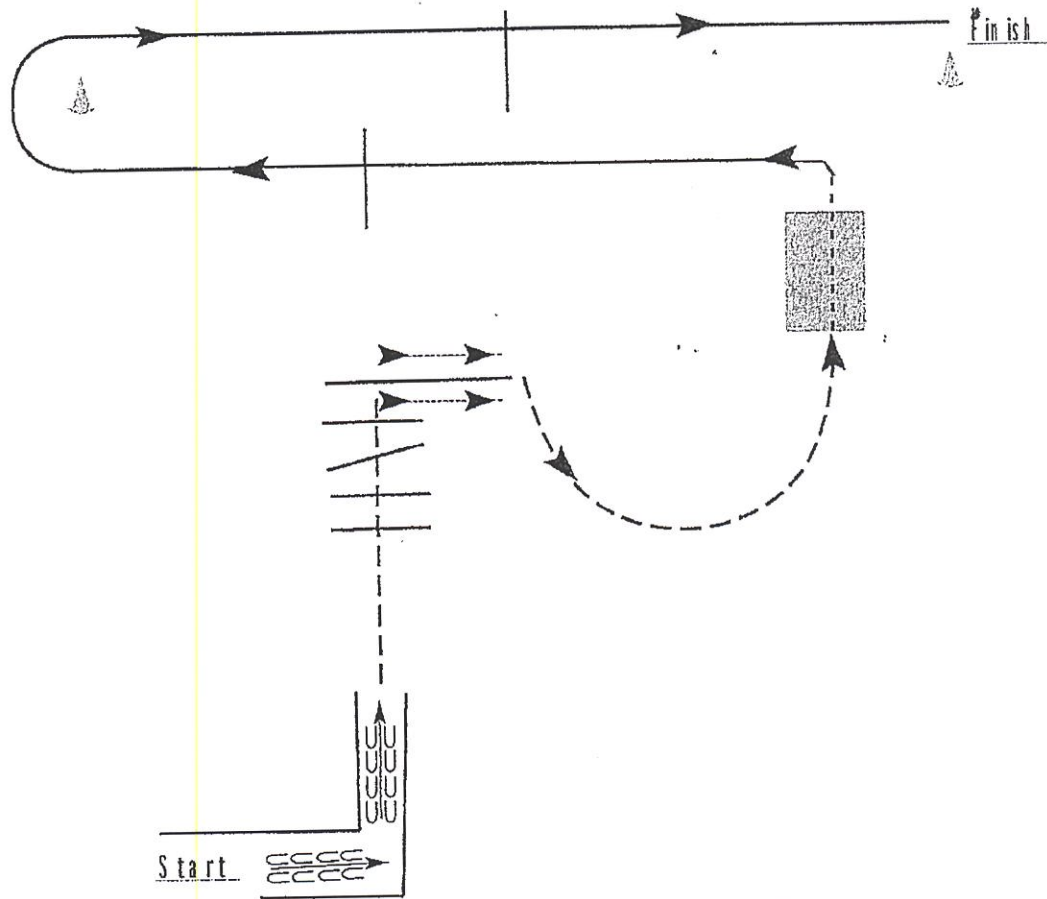


- Be ready at A.
1. Trot past B and stop
 2. Perform a 270 degree turn
 3. Trot halfway to the Judge
 4. Break to the walk and walk to the Judge
 5. Stop and set up for inspection
 6. When dismissed back one horse length
 7. Perform a 90 degree turn and trot to the line-up
- Follow the instructions of your ring steward.

Walk	-----
Trot	-----
Back	←=====
Marker	Ⓟ
Judge	Ⓝ



SUSSEX COUNTY HORSE SHOW
 Local Day Western, English & 4H
 Trail – 4H Junior/Senior, Open, Novice
 AUGUST 9, 2021
 Classes 7, 9, and 10

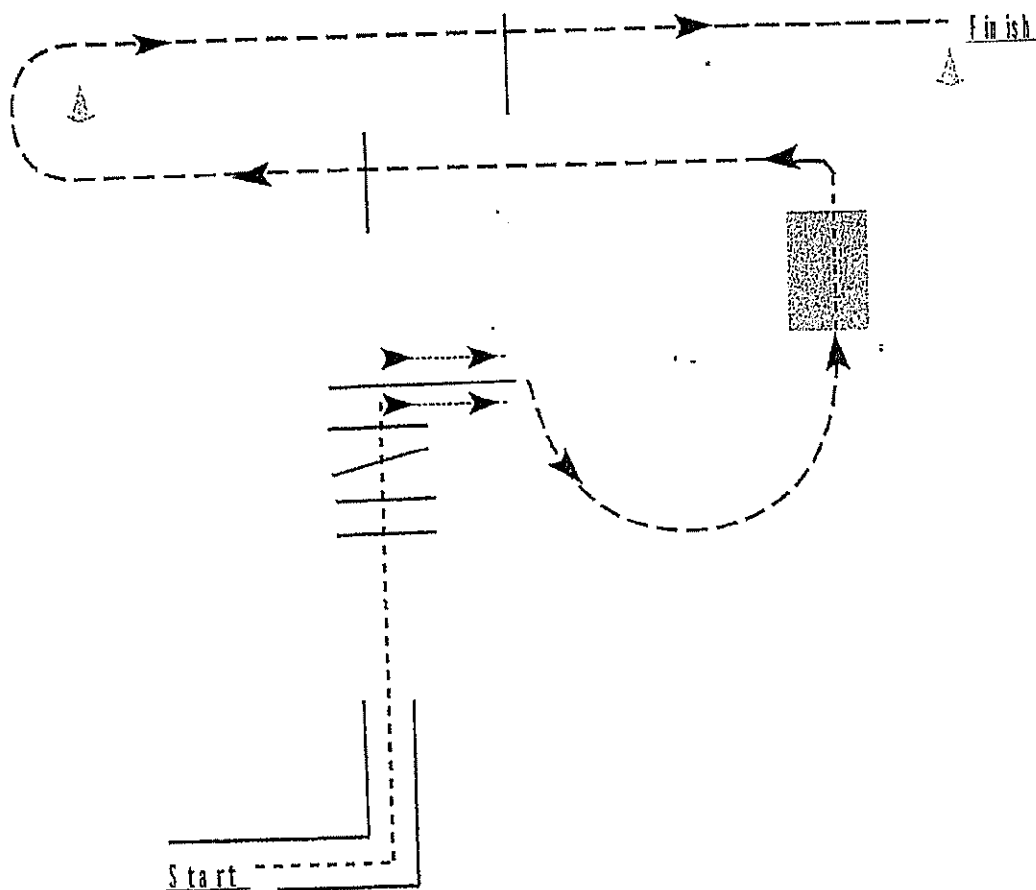


1. Back thru L
2. Turn 180 degrees (either direction) and jog over poles.
3. Sidepass final log to the right.
4. Jog to bridge. (English: Trot)
5. Walk over bridge.
6. Lope over pole, around cone, and over pole to finish.

Walk	-----
Jog	-----
Extended Jog	-----
Lope	-----
Leg Yield	
Lead Change	↘ ↙
Back	←←←←
Marker	(B)
Sidepass	←-----→



SUSSEX COUNTY HORSE SHOW
 Local Day Western, English & 4H
 AUGUST 9, 2021
 Trail – W/J and Leadline
 Classes 8, 11 and 12



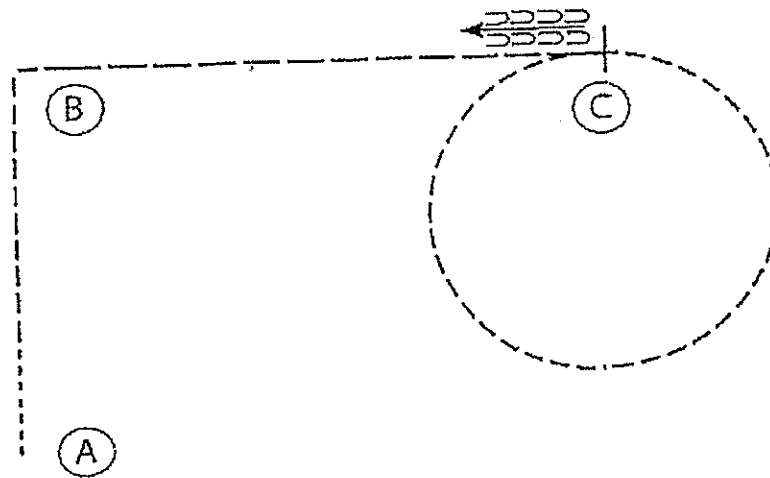
1. Walk thru L
2. Walk over logs.
3. Sidepass final log to the right.
4. Jog to bridge. (English: Trot)
5. Walk over bridge.
6. Jog over pole, around cone, and over pole to finish. (English: Trot)

Walk	-----
Jog	- - - - -
Extended Jog	-----
Lope	-----
Leg Yield	
Lead Change	---/---
Back	←←←←←
Marker	(B)
Sidepass	←-----→

Leadline – to Walk Only



SUSSEX COUNTY HORSE SHOW
 Local Day Western, English & 4H
 AUGUST 9, 2021
 Horsemanship W/J – 4H, Novice, Youth and Adult
 Classes 21, 22, 23 and 24



Be ready at A.

1. Walk approximately 2 horse lengths from A.
2. Jog to B. Jog a square corner around B.
3. Extend the jog to C.
4. Jog a circle at C.
5. Stop at C and back approximately one horse length.

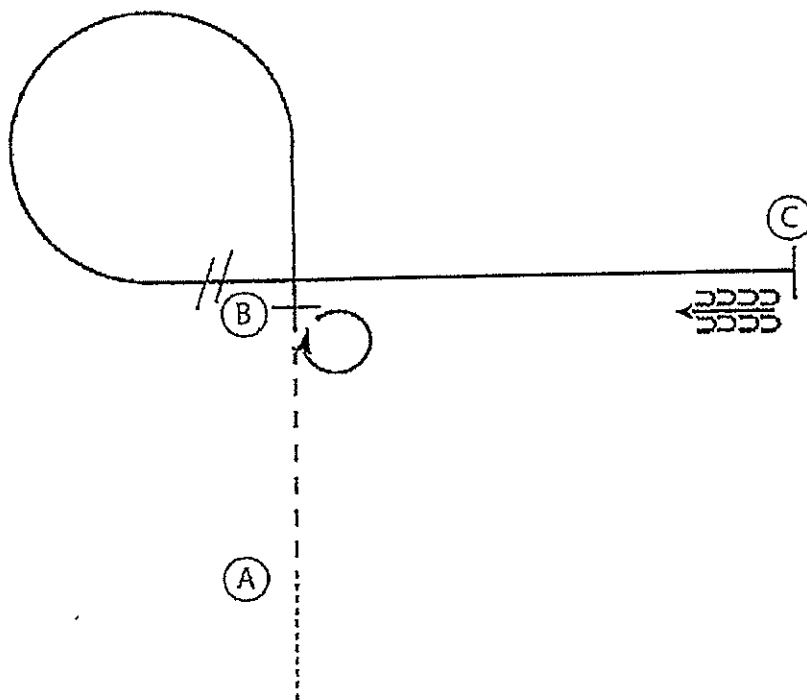
Follow the instructions of your ring steward.

Walk	-----
Jog	- - - - -
Extended Jog	— — — — —
Lope	— — — — —
Leg Yield	
Lead Change	— / —
Back	← ← ← ← ←
Marker	⊙
Sidepass	← . . . →



SUSSEX COUNTY HORSE SHOW
 Local Day Western, English & 4H
 AUGUST 9, 2021

Horsemanship – Junior/Senior, Novice, Youth and Adult
 Classes 30, 31, 32, 33 and 34



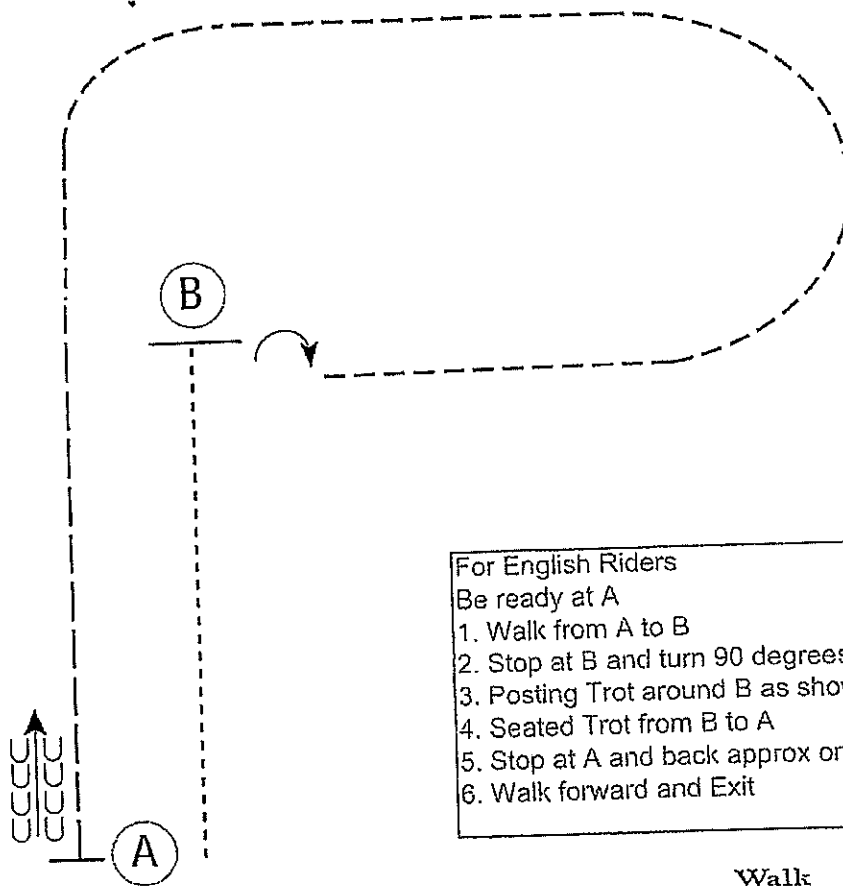
Western Riders

1. Walk to A
2. At A, jog to B
3. Stop at B and perform a 360 degree turn to the right
4. Lope a circle to the left
5. At B perform a lead change and continue to C
6. At C stop and back 4 steps

Walk	-----
Jog	- - - - -
Extended Jog	— — — — —
Lope	—————
Leg Yield	
Lead Change	⚡
Back	←←←←←
Marker	Ⓚ
Sidepass	←- - - ->



SUSSEX COUNTY HORSE SHOW
 Local Day Western, English & 4H
 AUGUST 9, 2021
 Equitation W/T – 4H, Novice, Youth and Adult
 Classes 43, 44, 45 and 46

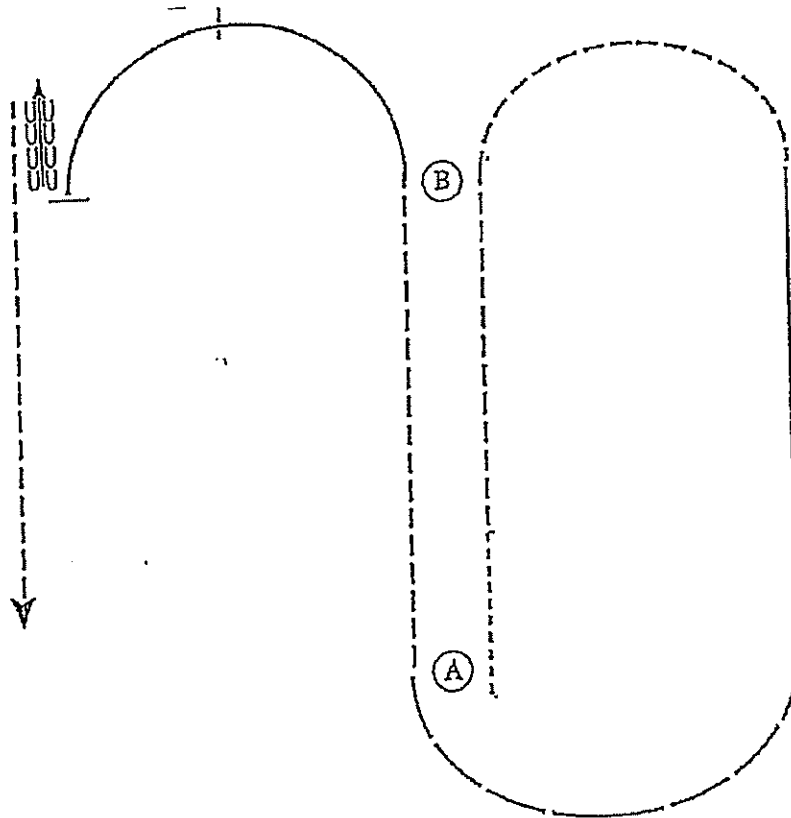


For English Riders
 Be ready at A
 1. Walk from A to B
 2. Stop at B and turn 90 degrees to the right
 3. Posting Trot around B as shown
 4. Seated Trot from B to A
 5. Stop at A and back approx one horse length
 6. Walk forward and Exit

- Walk -----
- Jog -----
- Extended Jog -----
- Lope -----
- Leg Yield |||||
- Lead Change /
- Back ← |||
- Marker (B)
- Sidepass ←-----



SUSSEX COUNTY HORSE SHOW
 Local Day Western, English & 4H
 Equitation – 4H, Novice, Youth and Adult
 AUGUST 9, 2021
 Classes 52, 53, 54, 55 and 56



Ready at A.

1. Walk approximately 2 horse lengths.
2. Posting trot on left diagonal to B and in a Half circle until even with B.
3. Canter on right lead until even with A.
4. Hand gallop a half circle to A.
5. Posting trot on the right diagonal to B.
6. Left lead canter in a half circle until even with B.
7. Halt and back approximately one horse length
8. Exit pattern at a sitting trot

